

## Air Combination

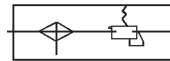


This product is the combination of filter, regulator and lubricator. It has tight structure, large flow rate, steady output and simple installation. The accessories include pressure gauge and mounting bracket. The lubricator can add oil with air on. All have the bowl guard. Use safely and appearance beautifully.

## SFC Series FR.L Combination

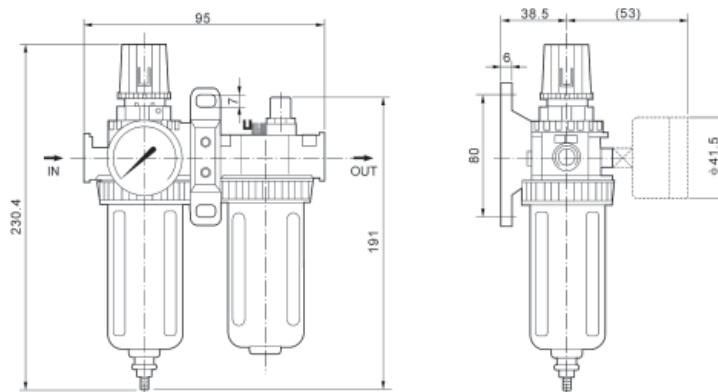
● Specifications

● Symbol



Model	SFC-200	SFC-300	SFC-400
Port size	1/4Rc	3/8Rc	1/2Rc
Pressure gauge port size	1/8Rc	1/8Rc	1/8Rc
Proof pressure		1.5MPa	
Max. operating pressure		1.0MPa	
Ambient and fluid temperature		5~60℃	
Bowl guard		Available	

● Dimensions



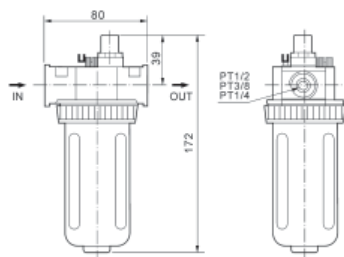


VOGUE PNEUMATICS

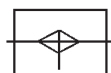
Ningbo Vogue Pneumatics Industry Co., Ltd.

## SL Series Lubricator

### ● Dimensions



### ● Symbol



### ● Specifications

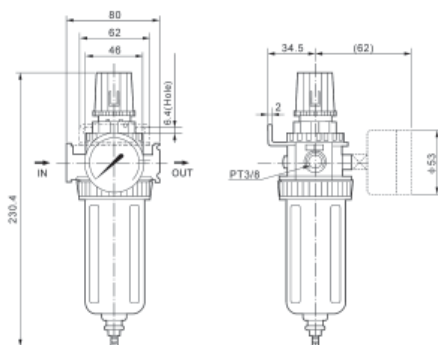
### ● Function

Adding oil with air on.

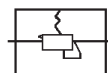
Model	SL-200	SL-300	SL-400
Port size	1/4Rc	3/8Rc	1/2Rc
Proof pressure	1.5MPa		
Max. operating pressure	1.0MPa		
Ambient and fluid temperature	5~60℃		
Bowl guard	Available		

## SFR Series Regulator & Filter

### ● Dimensions



### ● Symbol



### ● Specifications

### ● Operation Instructions

Pulling up the regulator's knob and turning the knob can regulate the pressure of compressed air to the set operating pressure, and can make pressure pulse balance; press down the knob to lock it.

Model	SFR-200	SFR-300	SFR-400
Port size	1/4Rc	3/8Rc	1/2Rc
Pressure gauge port size	1/8Rc	1/8Rc	1/8Rc
Proof pressure	1.5MPa		
Max. operating pressure	1.0MPa		
Ambient and fluid temperature	5~60℃		
Bowl guard	Available		

**107** | F.R.L. UNIT |

TEL: 0086-574-88870283